

Specifications

Port Sizes	3/8", 1/2", 3/4", 1"
Thread Styles	NPT, BSPT, BSPP
Flow Capacity	60/120/175 SCFM @ 100 PSI
Filter Capacity	3.0 micron & larger
Differential Pressure	< 5.0 PSID at rated flow
Max. Temp./Pressure (Aluminum Bowl)	175 °F/200 PSIG
Approx. Weight (lb.)	3.5/6.0/6.0
ISO Class	3 Particulate

For higher pressure applications, consult factory. Units equipped with differential pressure indicator have max. temperature and pressure of 125 °F and 150 PSIG, regardless of bowl material.



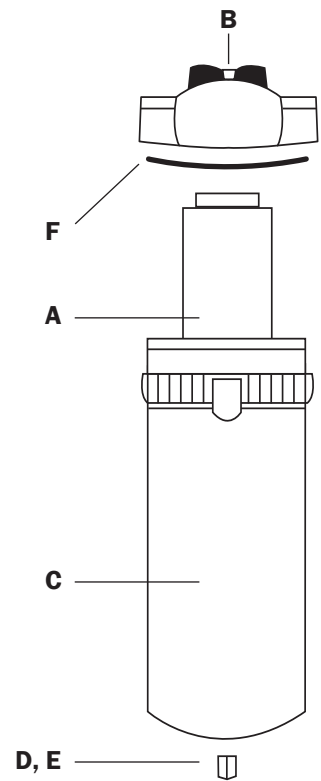
Water
Dirt
Oil
Oil Vapor
Odor

*Units shown with indicator

Food Grade certified non-toxic powder coated filters meet requirements of 21 CFR 100. Coating ingredients meet at least one section of FDA Title 21, with the exception of food items containing 8% alcohol.

Replacement Parts & Accessories

Description	Part Number
A Replacement Element	1P-060/1P-120/1P-175
B Differential Pressure Indicator	N32-W1-DPI-FG
B Blanking Cap (Cover for Indicator)	N32-95-020-FG
C Bowl Assy: Metal Bowl, Manual Petcock Drain, & O-ring (60)	N34-95-205-FG
C Bowl Assy: Metal Bowl, Auto Float Drain, & O-ring (60)	N34-95-195-FG
C Bowl Assy: Metal Bowl, Manual Petcock Drain, & O-ring (120/175)	N34-15-180-FG
C Bowl Assembly: Metal Bowl, Auto Float Drain, & O-ring (120/175)	N34-15-185-FG
D Manual Petcock Drain	PC-03
E Automatic Float Drain	N32-95-973-FG
F Bowl O-ring (60)	N32-95-257
F Bowl O-ring (120/175)	N32-95-256



Order Guide

	Port Size	Model Number	Dimensions (in.)		
			Height*	Width	Depth
Manual Drain	3/8"	1P-060-F03-P	10.0	3.9	3.9
	1/2"	1P-060-F04-P	10.0	3.9	3.9
	3/4"	1P-120-F06-P	17.0	4.6	4.8
	1"	1P-175-F08-P	17.0	4.6	4.8
Automatic Drain	3/8"	1P-060-F03-F	10.0	3.9	3.9
	1/2"	1P-060-F04-F	10.0	3.9	3.9
	3/4"	1P-120-F06-F	17.0	4.6	4.8
	1"	1P-175-F08-F	17.0	4.6	4.8

*To add an indicator, add "i" to end of model number (Indicator adds about 1" to height)

Literature Sheet: i009

