

Specifications

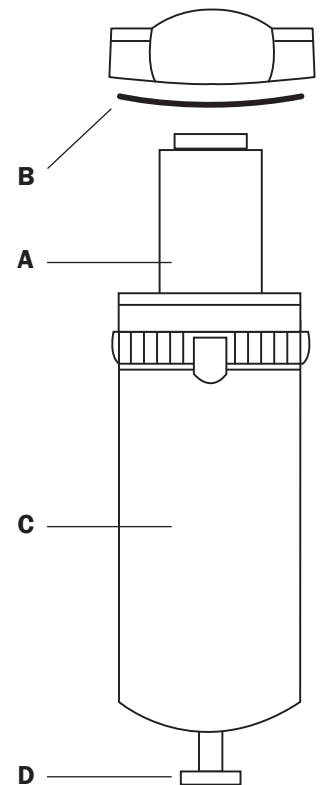
Port Sizes	1/4", 1/2"
Thread Styles	NPT
Flow Capacity	25 SCFM @ 100 PSI
Filter Capacity	1.0 micron & larger
Differential Pressure	<5.0 PSID at rated flow
Max. Temp./Pressure (Aluminum Bowl)	175 °F/200 PSIG
Max. Temp./Pressure (Polycarbonate Bowl)	125 °F/150 PSIG
Approx. Weight (lb.)	5.0-8.0
ISO Class	2 Particulate/Oil & Class 2 Pressure Dew Point



Water
Dirt
 Oil
 Oil Vapor
Water Vapor
 Odor

Replacement Parts & Accessories

Description	Part Number
A Replacement Element, 1st stage	DE301/DE350/DE401
B O-ring for DE350-P02/P04 & DE401-M04	N32-95-256
B O-ring for DE301-M04	N32-95-257
C Bowl Assembly for DE301-M04 (Bowl, Drain, O-ring)	N34-95-201
C Bowl Assembly for DE350-P02/P04 (Bowl, Drain, O-ring)*	N32-15-167
C Bowl Assembly for DE401-M04 (Bowl, Drain, O-ring)	N34-15-180
D Manual Brass Petcock Drain for DE350-P02/P04	N32-95-182
D Petcock Drain for DE301-M04	PC-02
D Petcock Drain for DE401-M04	PC-03
Sight Glass Assembly: for DE401-M04	RTi-SG-651



Order Guide

Model Number	Port Size	Bowl Type	Flow Capacity (SCFM)	Dimensions (in.)		
				Height	Width	Depth
DE350-P02	1/4"	Poly	10	13.6	5.2	4.8
DE350-P04	1/2"	Poly	10	13.6	4.6	4.8
DE301-M04	1/2"	Metal	8	9.9	3.9	3.9
DE401-M04	1/2"	Metal	10	16.5	6.8	4.8

*Poly bowls come with metal bowl guard