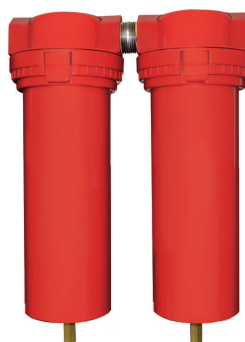


Specifications

Port Sizes	1/4", 3/8", 1/2"
Thread Styles	NPT, BSPT, BSPP
Flow Capacity	60 SCFM @ 100 PSI
Filter Capacity	0.01 micron & larger
Differential Pressure	< 5.0 PSID at rated flow
Max. Temp./Pressure (Aluminum Bowl)	175 °F/200 PSIG
Max. Temp./Pressure (Polycarbonate Bowl)	125 °F/150 PSIG
Approx. Weight (lb.)	7.0
ISO Class	1 Particulate/Oil

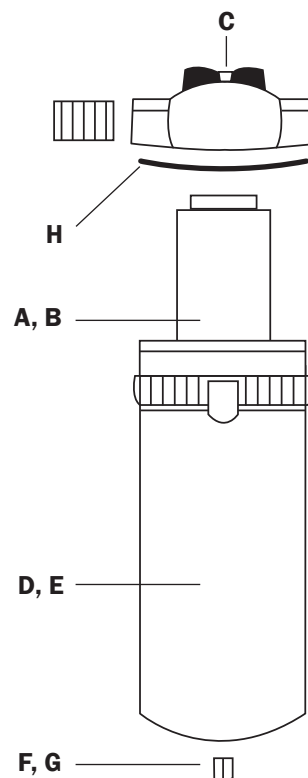
For higher pressure applications, consult factory. Units equipped with differential pressure indicator have max. temperature and pressure of 125 °F and 150 PSIG, regardless of bowl material.



Water
Dirt
Oil
Oil Vapor
Odor

Replacement Parts & Accessories

Description	Part Number
A Replacement Element, 1st Stage	3P-060
B Replacement Element, 2nd Stage	3C-060
C Differential Pressure Indicator	N32-W1-DPi
C Blanking Cap (Cover for Indicator)	N32-95-020
D Bowl Assembly: Metal Bowl, Manual Petcock Drain, & O-ring	N34-95-205
D Bowl Assembly: Metal Bowl, Auto Float Drain, & O-ring	N34-95-201
E Bowl Assembly: Poly Bowl, Manual Petcock Drain, & O-ring*	N32-15-163
E Bowl Assembly: Poly Bowl, Auto Float Drain, & O-ring*	N32-15-164
F Manual Petcock Drain (Metal Bowl)	PC-02
F Manual Petcock Drain (Poly Bowl)	N32-95-182
G Automatic Plastic Float Drain (Metal Bowl)	N32-95-979
G Automatic Brass Float Drain (Poly Bowl)	N32-95-978
H Bowl O-ring	N32-95-257



Order Guide

	Port Size	Model Number	
		Metal Bowl	Poly Bowl
Manual Drain	1/4"	3P-060-M02-DCP	3P-060-P02-DCP
	3/8"	3P-060-M03-DCP	3P-060-P03-DCP
	1/2"	3P-060-M04-DCP	3P-060-P04-DCP

Automatic Drain	1/4"	3P-060-M02-DC	3P-060-P02-DC
	3/8"	3P-060-M03-DC	3P-060-P03-DC
	1/2"	3P-060-M04-DC	3P-060-P04-DC

Dimensions (in.)			
Height**		Width	Depth
Metal	Poly		
10.2	10.8	8.0	3.9
9.7	10.3	8.0	3.9
9.7	10.3	8.0	3.9

10.5	11.2	8.0	3.9
10.0	10.7	8.0	3.9
10.0	10.7	8.0	3.9

*Poly bowls come with metal bowl guard

**To add an indicator, add "i" to end of model number (Indicator adds about 1" to height)

Literature Sheet: i003, i006, i011, i015, i078