

# Specifications

<b>Port Sizes</b>	1/4", 3/8", 1/2"
<b>Thread Styles</b>	NPT, BSPT, BSPP
<b>Flow Capacity</b>	60 SCFM @ 100 PSI
<b>Filter Capacity</b>	0.01 micron & larger
<b>Differential Pressure</b>	< 1.5 PSID at rated flow
<b>Max. Temp./Pressure (Aluminum Bowl)</b>	175 °F/200 PSIG
<b>Max. Temp./Pressure (Polycarbonate Bowl)</b>	125 °F/150 PSIG
<b>Approx. Weight (lb.)</b>	3.5
<b>ISO Class</b>	1 Particulate/Oil

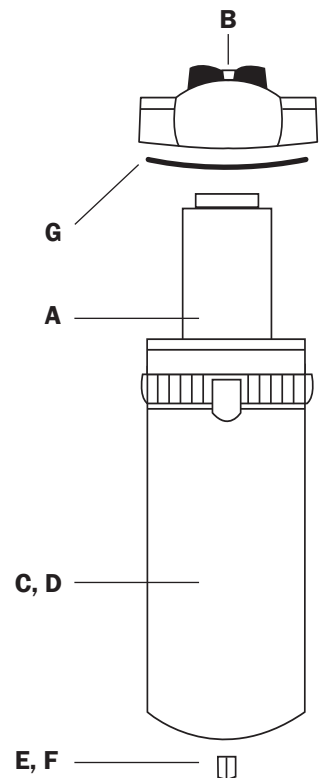
For higher pressure applications, consult factory. Units equipped with differential pressure indicator have max. temperature and pressure of 125 °F and 150 PSIG, regardless of bowl material.



Water  
Dirt  
Oil  
Oil Vapor  
Odor

# Replacement Parts & Accessories

Description	Part Number
<b>A</b> Replacement Element	3C-060
<b>B</b> Differential Pressure Indicator	N32-W1-DPi
<b>B</b> Blanking Cap (Cover for Indicator)	N32-95-020
<b>C</b> Bowl Assembly: Metal Bowl, Manual Petcock Drain, & O-ring	N34-95-205
<b>C</b> Bowl Assembly: Metal Bowl, Auto Float Drain, & O-ring	N34-95-201
<b>D</b> Bowl Assembly: Poly Bowl, Manual Petcock Drain, & O-ring*	N32-15-163
<b>D</b> Bowl Assembly: Poly Bowl, Auto Float Drain, & O-ring*	N32-15-164
<b>E</b> Manual Petcock Drain (Metal Bowl)	PC-02
<b>E</b> Manual Petcock Drain (Poly Bowl)	N32-95-182
<b>F</b> Automatic Plastic Float Drain (Metal Bowl)	N32-95-979
<b>F</b> Automatic Brass Float Drain (Poly Bowl)	N32-95-978
<b>G</b> Bowl O-ring	N32-95-257



# Order Guide

	Port Size	Model Number		Dimensions (in.)			
		Metal Bowl	Poly Bowl	Height**		Width	Depth
				Metal	Poly		
Manual Drain	1/4"	3C-060-M02-P	3C-060-P02-P	10.1	10.8	3.7	3.9
	3/8"	3C-060-M03-P	3C-060-P03-P	10.1	10.8	3.7	3.9
	1/2"	3C-060-M04-P	3C-060-P04-P	10.1	10.8	3.7	3.9
Auto Drain	1/4"	3C-060-M02-F	3C-060-P02-F	10.5	11.2	3.7	3.9
	3/8"	3C-060-M03-F	3C-060-P03-F	10.5	11.2	3.7	3.9
	1/2"	3C-060-M04-F	3C-060-P04-F	10.5	11.2	3.7	3.9

\*Poly bowls come with metal bowl guard

\*\*To add an indicator, add "i" to end of model number (Indicator adds about 1" to height)