

Specifications

| | |
|---|--------------------------|
| Port Sizes | 1/4", 3/8" |
| Thread Styles | NPT, BSPT, BSPP |
| Flow Capacity | 20 SCFM @ 100 PSI |
| Filter Capacity | 1.0 micron & larger |
| Differential Pressure | < 5.0 PSID at rated flow |
| Max. Temp./Pressure (Aluminum Bowl) | 175 °F/200 PSIG |
| Max. Temp./Pressure (Polycarbonate Bowl) | 125 °F/150 PSIG |
| Approx. Weight (lb.) | 2.0 |
| ISO Class | 2 Particulate |

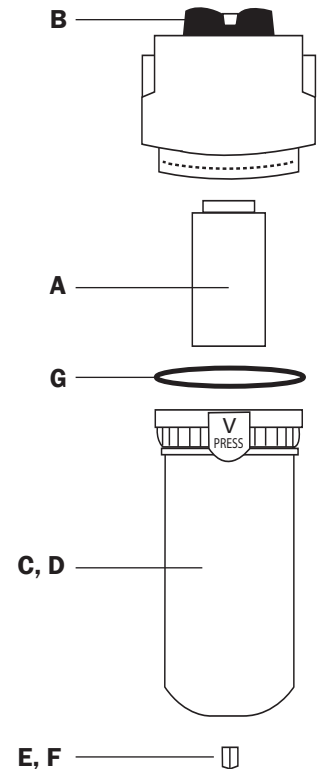
For higher pressure applications, consult factory. Units equipped with differential pressure indicator have max. temperature and pressure of 125 °F and 150 PSIG, regardless of bowl material.



Water
Dirt
Oil
Oil Vapor
Odor

Replacement Parts & Accessories

| Description | Part Number |
|--|-------------|
| A Replacement Element | 3P-020 |
| B Differential Pressure Indicator | N32-W1-DPi |
| B Blanking Cap (Cover for Indicator) | N32-95-020 |
| C Bowl Assembly: Metal Bowl, Manual Petcock Drain, & O-ring | N32-95-178 |
| C Bowl Assembly: Metal Bowl, Auto Float Drain, & O-ring | N32-95-950 |
| D Bowl Assembly: Poly Bowl, Manual Petcock Drain, & O-ring* | N32-15-159 |
| D Bowl Assembly: Poly Bowl, Auto Float Drain, & O-ring* | N32-15-160 |
| E Manual Brass Petcock Drain | N32-95-182 |
| F Automatic Plastic Float Drain | N32-95-973 |
| G Bowl O-ring | N32-95-009 |



Order Guide

| | Port Size | Model Number | | Dimensions (in.) | | |
|---------------------|-----------|--------------|--------------|------------------|-------|-------|
| | | Metal Bowl | Poly Bowl | Height** | Width | Depth |
| Manual Drain | 1/4" | 3P-020-M02-P | 3P-020-P02-P | 7.2 | 3.0 | 2.7 |
| | 3/8" | 3P-020-M03-P | 3P-020-P03-P | 7.2 | 3.0 | 2.7 |
| Auto Drain | 1/4" | 3P-020-M02-F | 3P-020-P02-F | 7.4 | 3.0 | 2.7 |
| | 3/8" | 3P-020-M03-F | 3P-020-P03-F | 7.4 | 3.0 | 2.7 |

*Poly bowls come with metal bowl guard
 **To add an indicator, add "i" to end of model number (Indicator adds about 1" to height)

Literature Sheet: i007, i013, i016, i021, i070, i078